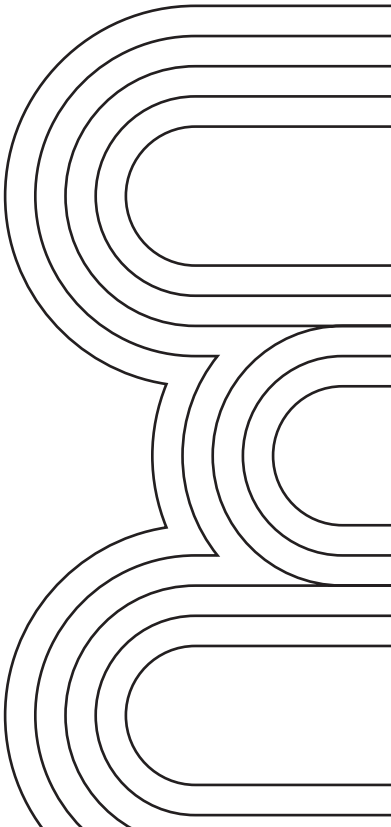
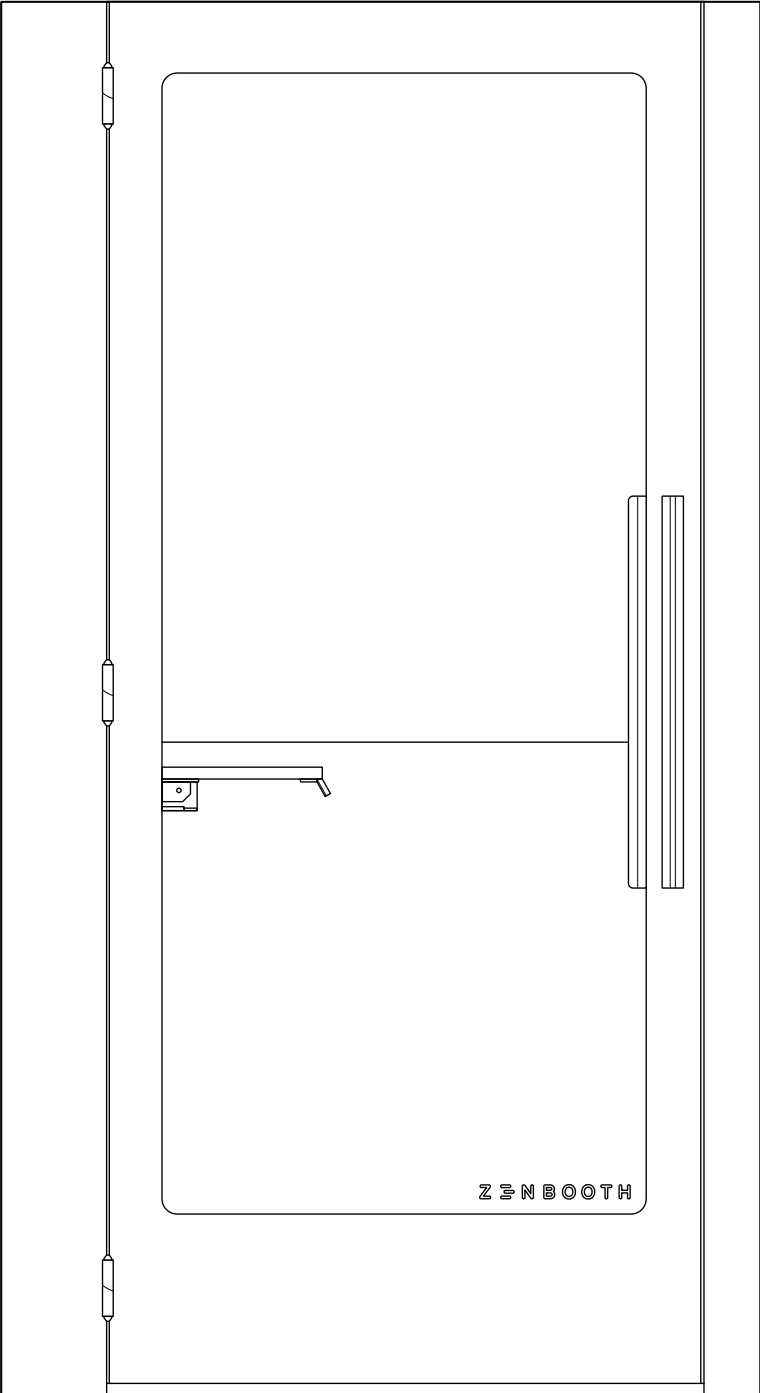


---

# Zenbooth Solo Pro Mounting Instructions

---



---

## // INTRODUCTION

---

Dear valued customer,

We're excited to help you customize your Zenbooth Solo Pro to fit your unique needs. This guide will show you how to mount items safely onto your booth. With engineered wood-based construction, Zenbooths are incredibly adaptable. Whether you are mounting a tablet, shelving, whiteboard, plants, or anything else, it's as simple as screwing it to the wall!

By following this guide, you'll ensure the safety of the delicate equipment inside the wall and keep your items mounted securely in place for years to come.

Throughout the guide, you'll find shaded zones indicating where it's safe to mount, along with weight limits for each zone. Please reach out to us if you have any questions, and good luck on your mounting projects!

Sincerely,

🧰 The Zenbooth Team 🧰

support@zenbooth.net

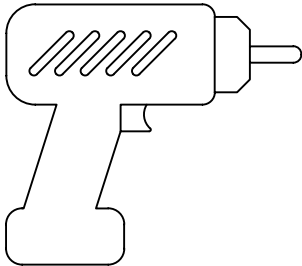
(510) 646-8368

---

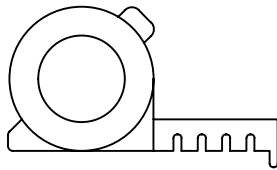
## // TOOLS & HARDWARE NEEDED

---

Materials and tools not included with booth



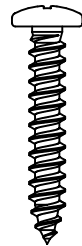
Drill



Tape Measure



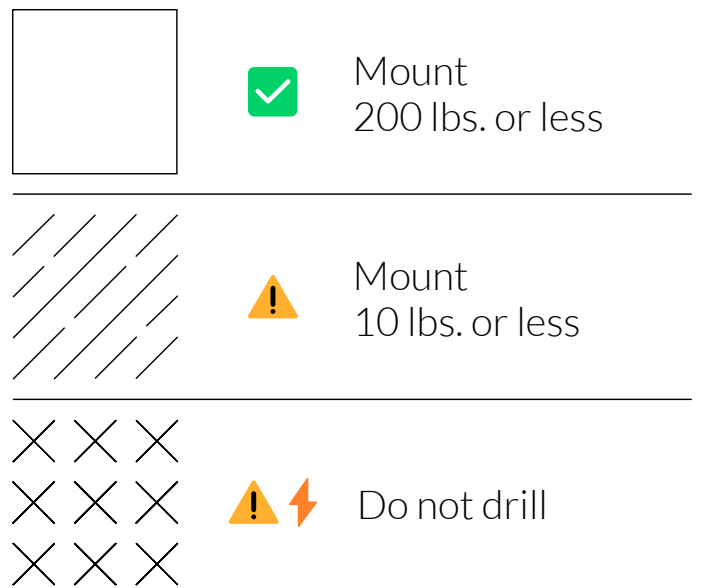
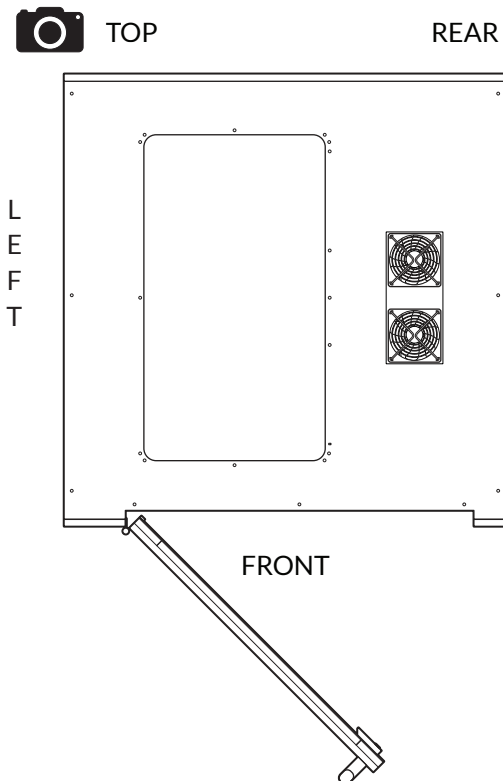
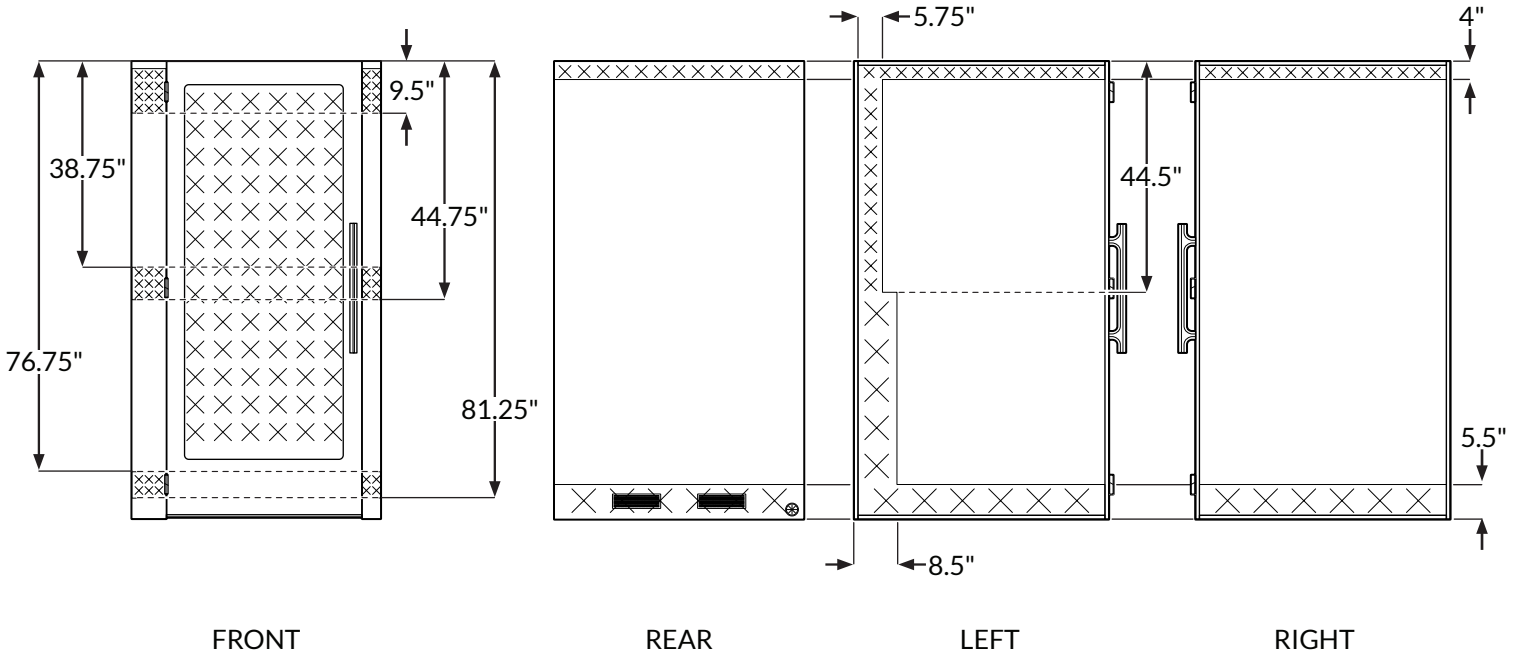
1/8" Drill Bit



3/4" - 1 1/4" Wood Screw  
Fully Threaded  
(3/4" embedment maximum)

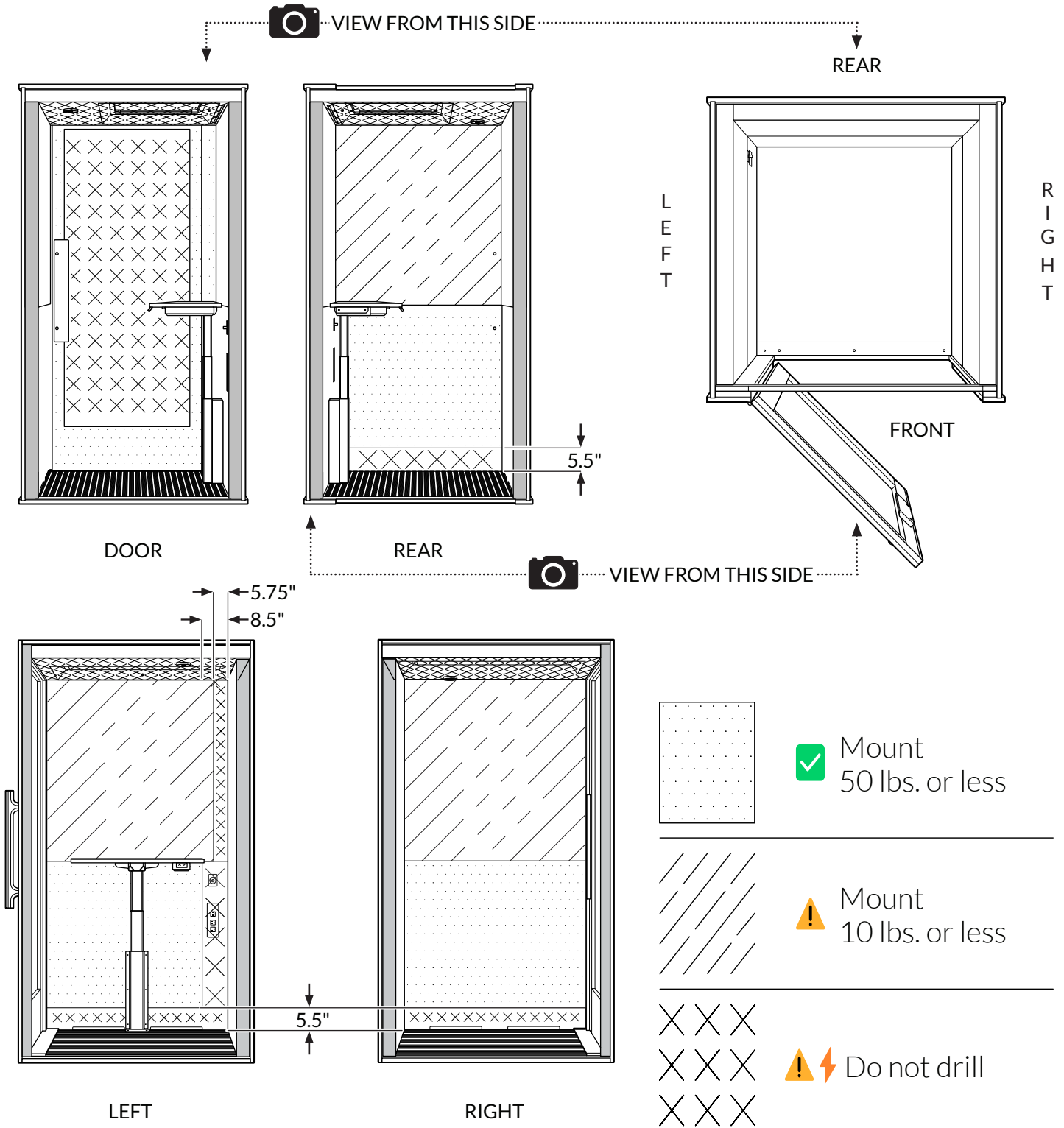
// EXTERIOR WALLS

Note: Use diagrams to determine where to drill and how much weight can be supported.



# // INTERIOR WALLS

Note: Use diagrams to determine where to drill and how much weight can be supported.



\*Take care to ensure that nothing you mount to the booth will interfere with the path of the desk.

---

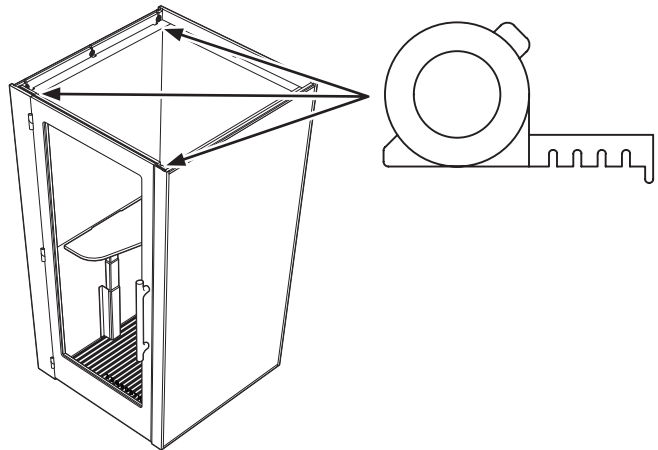
## // MOUNTING INSTRUCTIONS

---

Zenbooths are easy to customize! Add after-market hardware and mountable devices to your booth by simply drilling a hole and mounting them to the wall. Just keep a couple of things in mind: always follow the manufacturer's instructions for mounting any item, and make sure to check that any screws are the proper length.

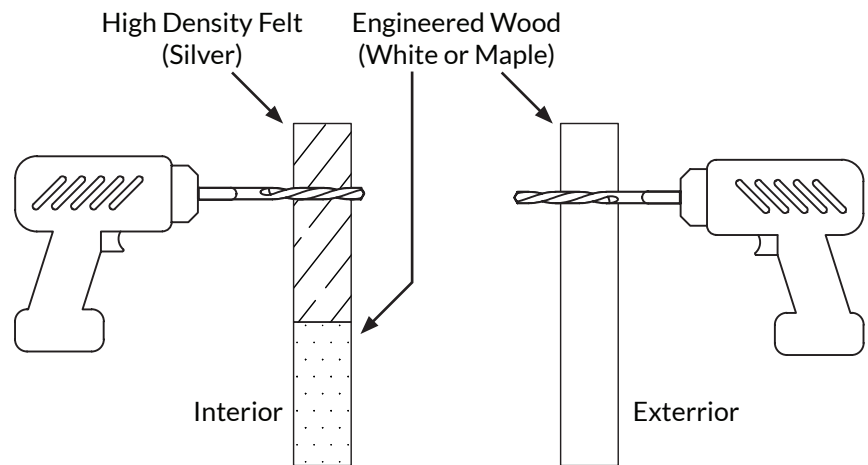
Step 01

Measure  
-  
Measure from a corner



Step 02

Pre-Drill  
-  
Drill through felt when needed



Step 03

Mount Your Hardware  
-  
Using 3/4" - 1 1/4" screws

