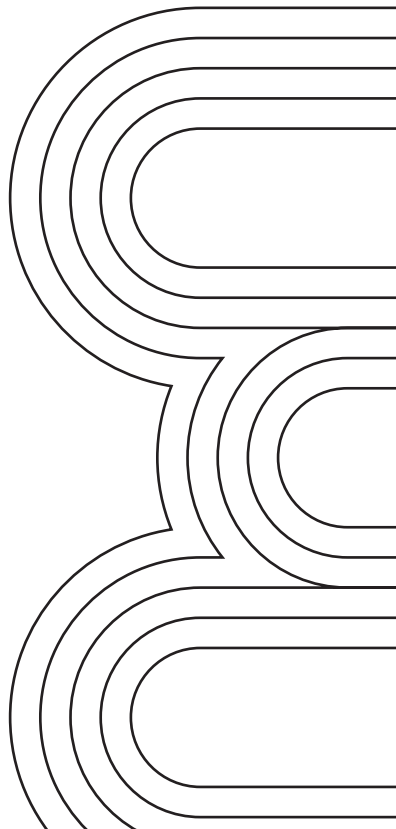
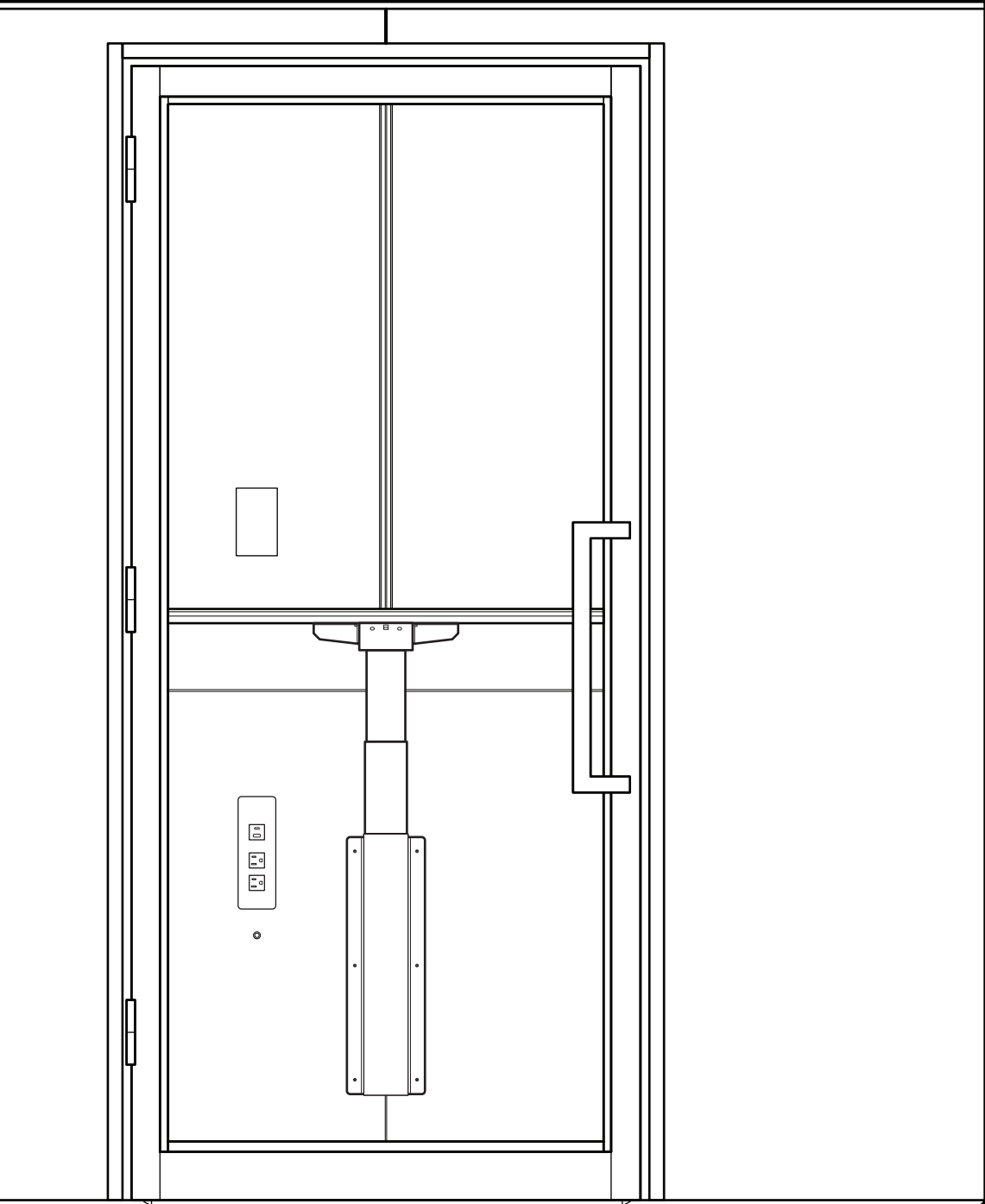


---

# Zenbooth Duo Mounting Instructions

---



---

## // INTRODUCTION

---

Dear valued customer,

We're excited to help you customize your Zenbooth Duo to fit your unique needs! This guide will show you how to mount items safely onto your booth. With sturdy double walls and wood-based construction, Zenbooths are incredibly adaptable. Whether you're mounting a monitor, work surface, whiteboard, or anything else, it's as simple as screwing it to the wall!

By following this guide, you'll ensure the safety of the delicate equipment inside the wall and keep your items mounted securely in place for years to come.

Throughout the guide, you'll find shaded zones indicating where it's safe to mount, along with weight limits for each zone. Please reach out to us if you have any questions, and good luck on your mounting projects!

Sincerely,

🧡 The Zenbooth Team 🧡

hi@zenbooth.net

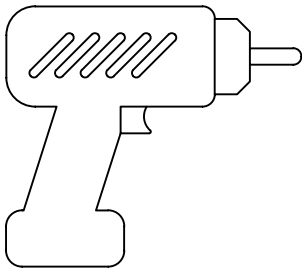
(510) 646-8368

---

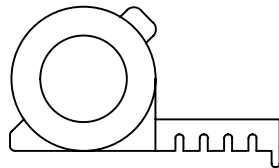
## // TOOLS & HARDWARE NEEDED

---

Materials and tools not included with booth



Drill



Tape Measure

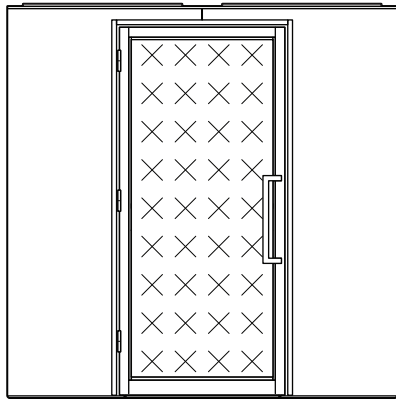


1/8" Drill Bit

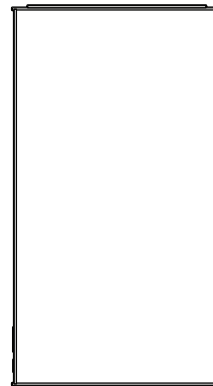


1 1/2" Wood Screw  
Fully Threaded

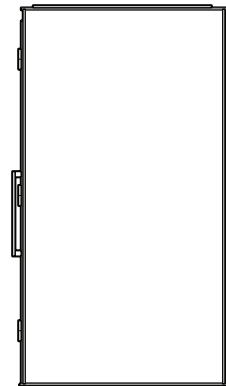
// MOUNTING TO EXTERIOR SURFACES



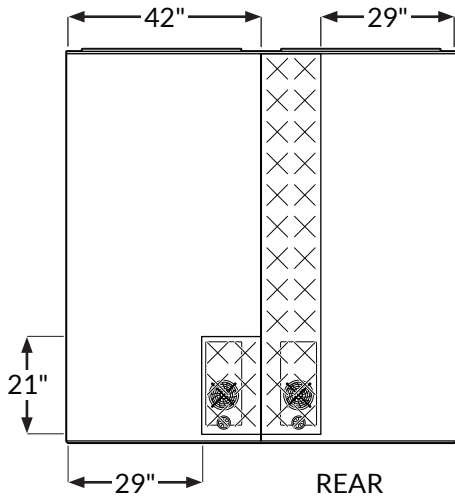
FRONT



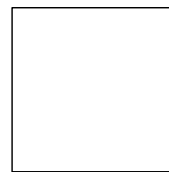
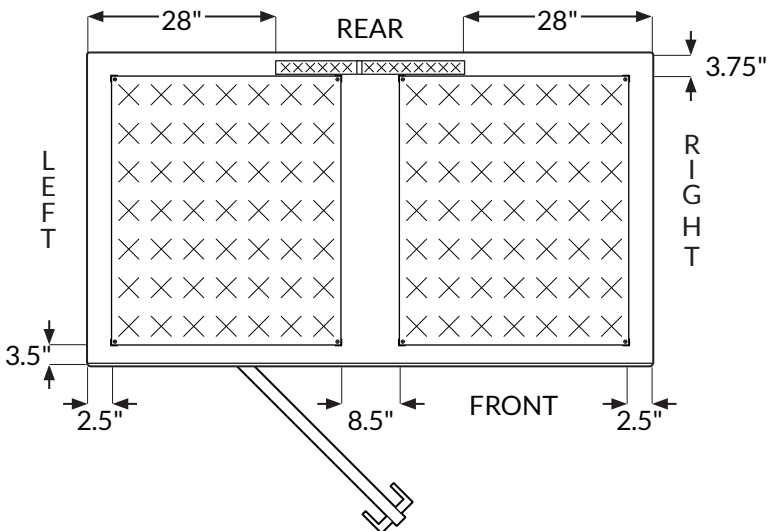
LEFT



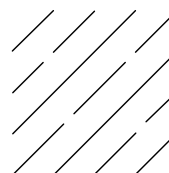
RIGHT



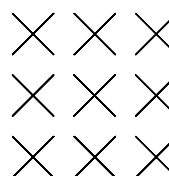
REAR



Mount  
100 lbs. or less

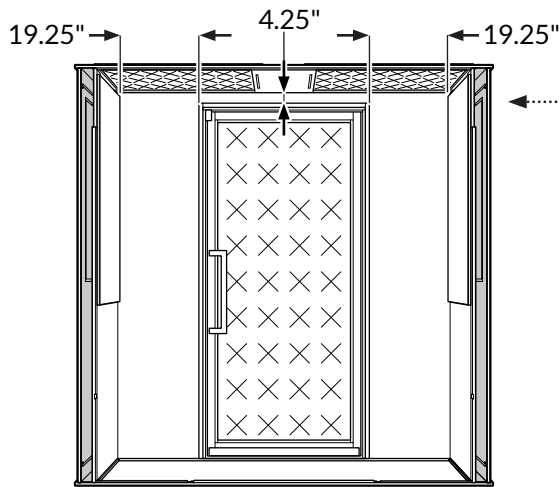


Mount  
10 lbs. or less



Do not drill

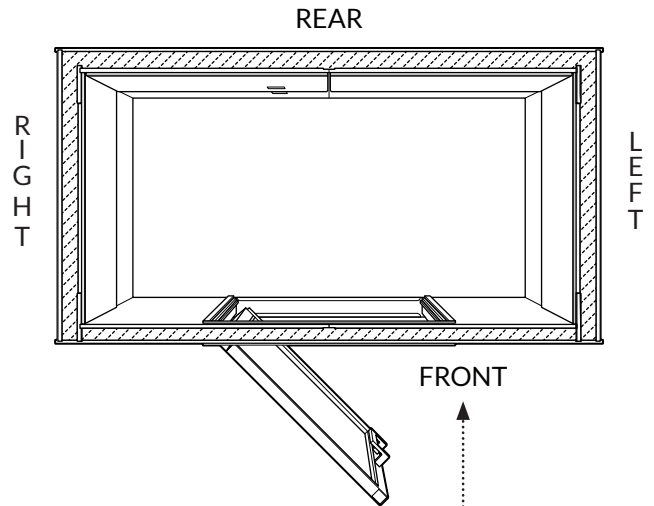
# // MOUNTING TO INTERIOR SURFACES



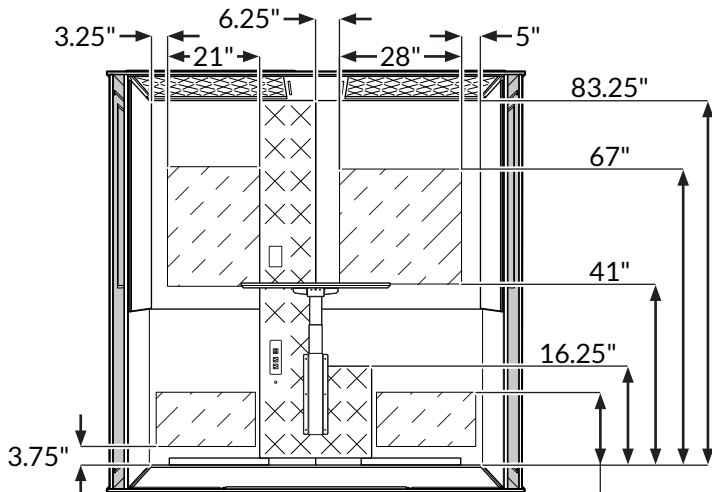
FRONT INTERIOR



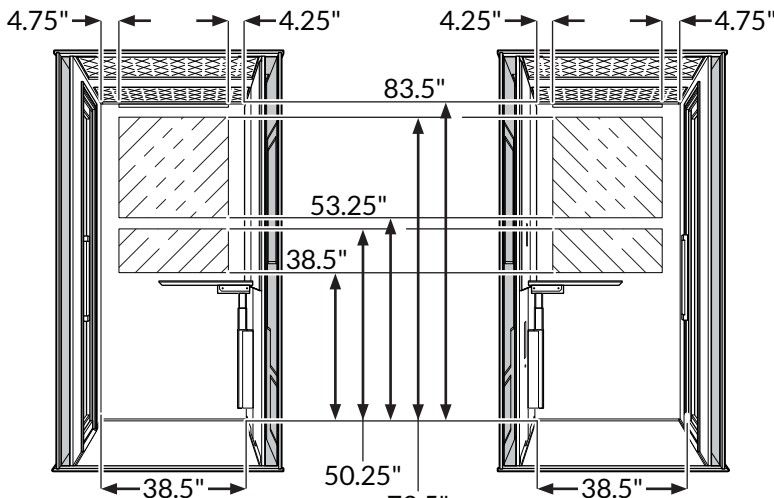
VIEW FROM THIS SIDE



VIEW FROM THIS SIDE



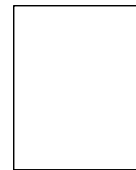
REAR INTERIOR



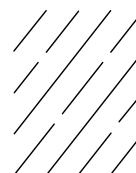
LEFT INTERIOR

RIGHT INTERIOR

\*Zenbooth Duos come with adjustable desks. Take care to ensure that nothing you mount to the booth will interfere with the path of the desk.



✔ Mount 100 lbs. or less



⚠ Mount 10 lbs. or less



⚠⚡ Do not drill

---

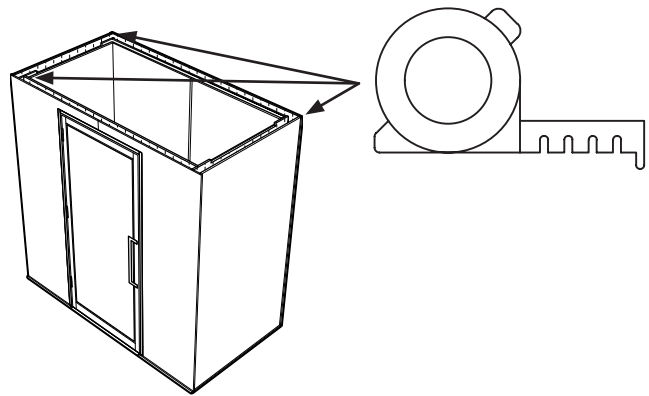
## // MOUNTING INSTRUCTIONS

---

Zenbooths are easy to customize! Add after-market hardware and mountable devices to your booth by simply drilling a hole and mounting them to the wall. Just keep a couple of things in mind: always follow the manufacturer's instructions for mounting any item, and make sure to check that any screws are 1 1/2" in length.

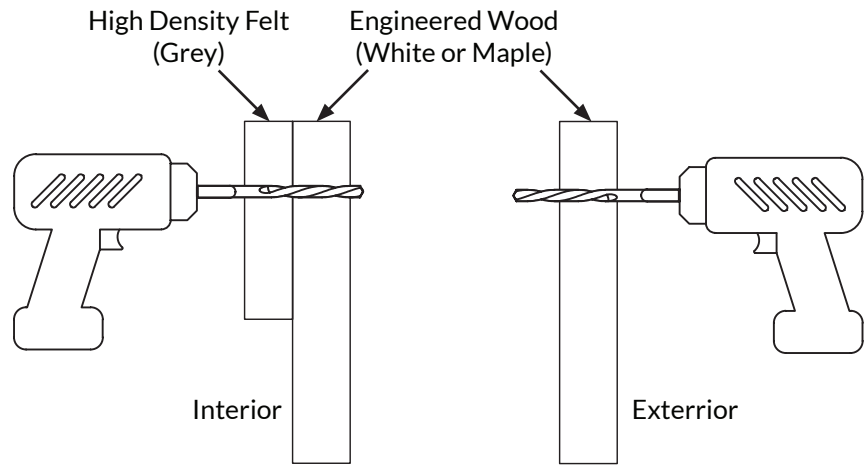
Step 01

Measure  
-  
Measure from a corner



Step 02

Pre-Drill  
-  
Drill through felt when needed



Step 03

Mount Your Hardware  
-  
Using 1 1/2" screws

